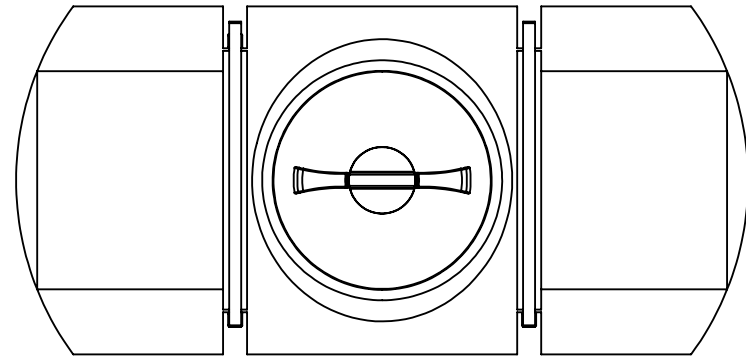


8 7 6 5 4 3 2 1

D

D



C

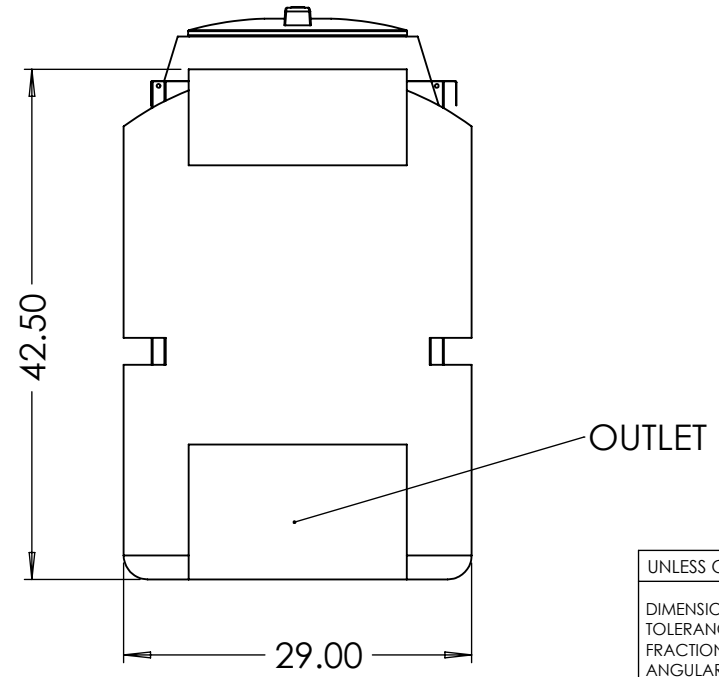
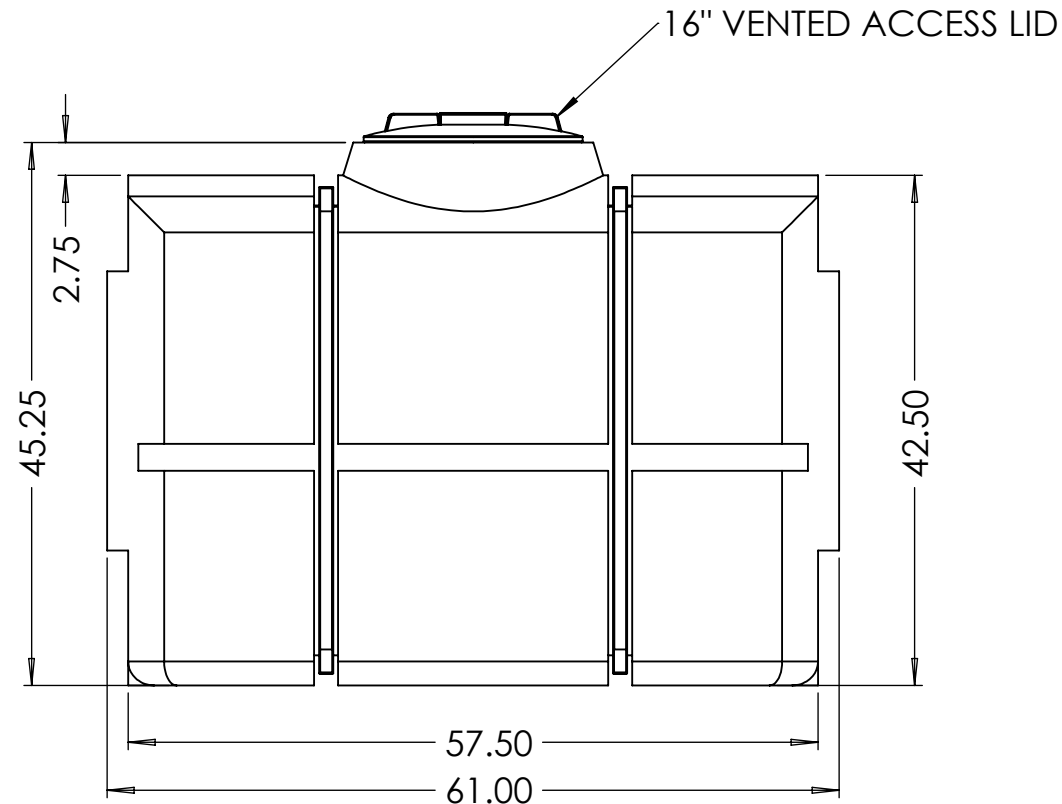
C

B

B

A

A



WEIGHT: 150 LBS.

UNLESS OTHERWISE SPECIFIED:		NAME	DATE	Dedicated Plastic Tanks
DIMENSIONS ARE IN INCHES TOLERANCES: ± 0.030 FRACTIONAL ± ANGULAR: MACH ± BEND ± TWO PLACE DECIMAL ± THREE PLACE DECIMAL ±		DRAWN	MAC	
INTERPRET GEOMETRIC TOLERANCING PER:		CHECKED		TITLE: E-250WS POLYETHYLENE INDOOR WATER AND STORAGE TANK
MATERIAL		ENG APPR.		
FINISH		MFG APPR.		SIZE
		Q.A.		DWG. NO.
		COMMENTS:		REV
				B
				EQ-203
				0
				SCALE: 1:24
				WEIGHT:
				SHEET 1 OF 1

8 7 6 5 4 3 2 1